

Feature :

- Output position : 16 or 32
- Touch mode : Fast sliding / slow sliding
- LED show : Single point / multipoint
- Touch contains vibration feedback
- Bend touch surface, auxiliary touch position

Application :

- Consumer products
- Computer products
- Communication equipment
- Household equipment
- industrial control

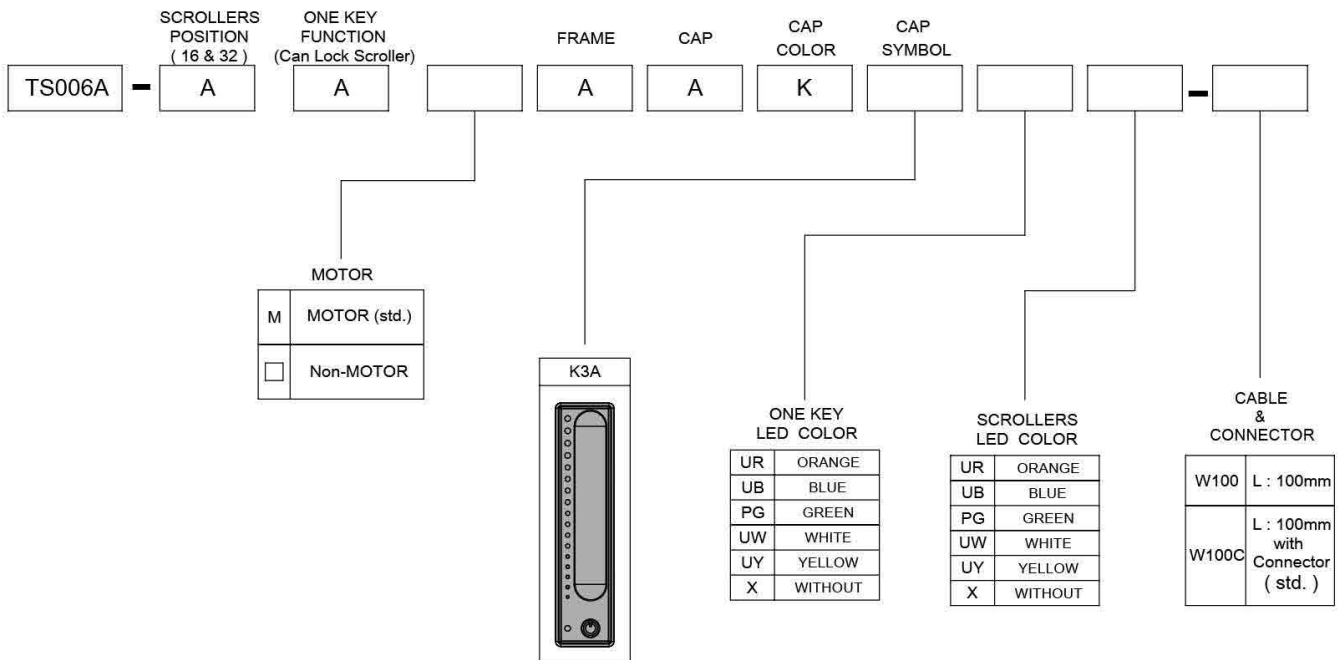


SWITCH SPECIFICATIONS							
POLE - POSITION		Two-Channel					
CIRCUIT FEATURE		Capacitive PWM signal					
OPERATING TEMPERATURE RANGE		-20°C ~ 70°C					
ELECTRICAL CHARACTERISTICS							
Symbol	Parameter	Test Conditions		MIN.	TYP.	MAX.	Units
		V _{DD}	Conditions				
V _{CC}	Input Voltage	-	-	0	-	-	V
V _{DD}	Operating Voltage	-	-	3.3	5.0	15	V
I _{DD}	Operating Voltage - No Load	3.3V	3.3V	-	2	3	mA
V _{OH}	Output High Voltage	3.3V	I _{OH} = -4.0mA	2.97	-	-	V
V _{OL}	Output Low Voltage	3.3V	I _{OL} = 8.0mA	-	-	0.33	V
V _{IL}	Input ports	3.3V	-	-	200	-	Hz

LED SPECIFICATIONS								
 ATTENTION LEDs are Electrostatic Sensitive devices 	Unit	Value / LED Color						
		Blue	Pure Green	Red	Yellow	Orange	Green	White
LUMINOUS INTENSITY@20mA I _v	mcd	60	450	220	150	253	50	300-1500
Dominant Wavelength λ _D	nm	465	525	630	590	601	570	/
FORWARD VOLTAGE@20mA V _f	V	3.3	3.3	1.95	2	2.1	2.1	3.3

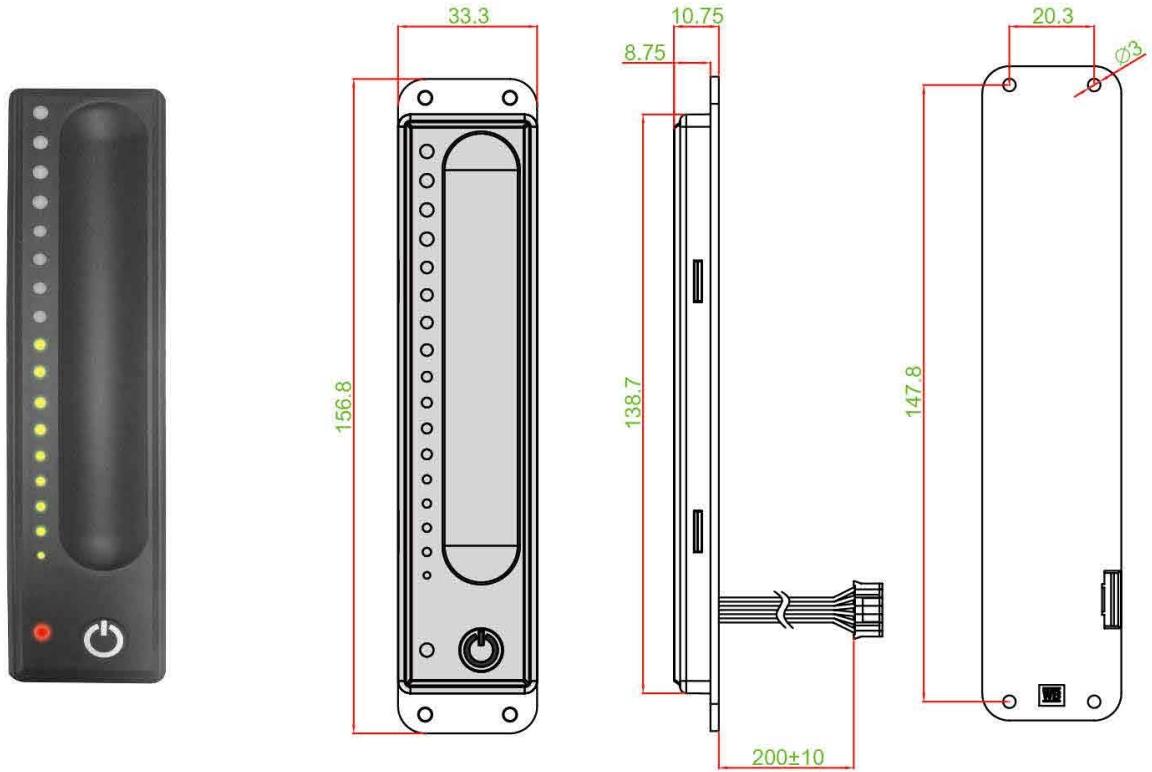
■ A single bin cannot be ordered, please contact us in advance if you need a particular bin sorting before placing your order to clarify the lead time, MOQ and pricing

HOW TO ORDER

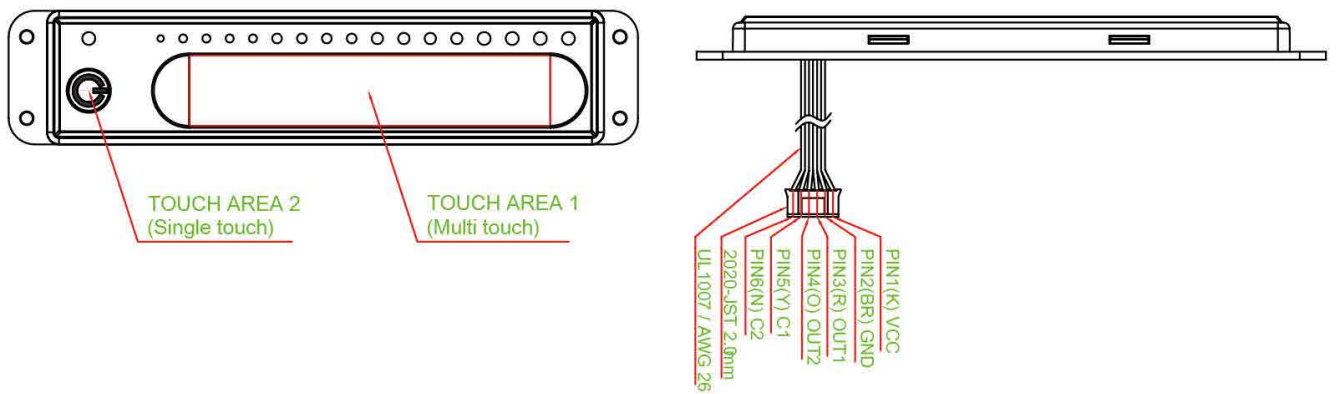


DIMENSION

· TS006A-AAMAAKK3AURPG-W200C



CIRCUIT



PANEL CUT OUT

